

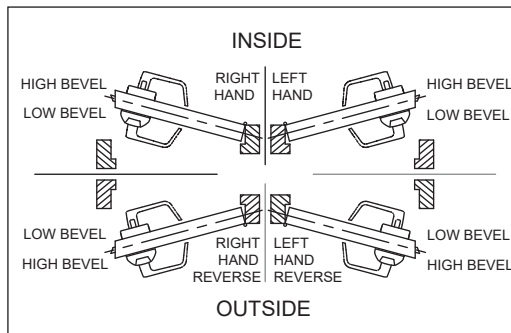
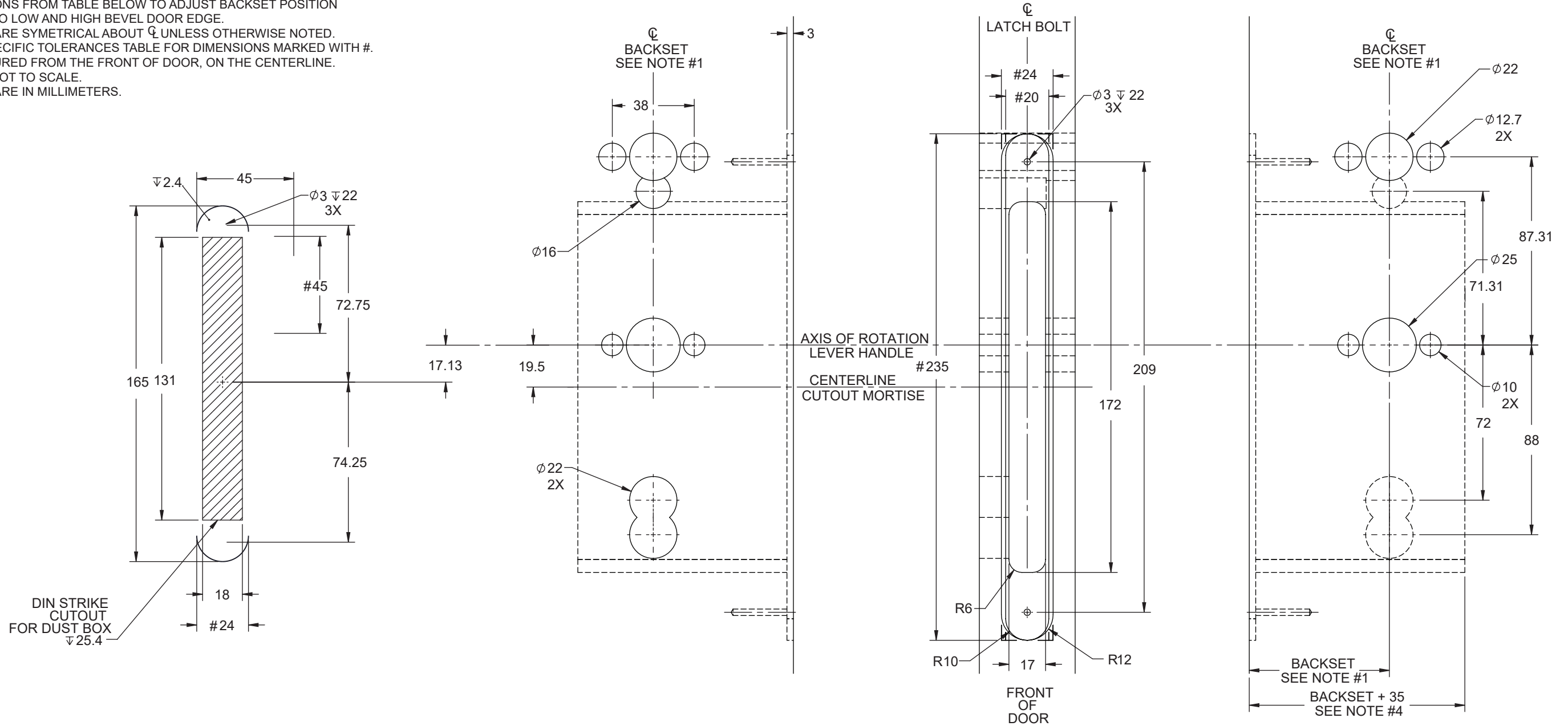
Saffire LX-M & Saffire EVO LZ-M

Euro mortise lock case 395 half Euro knob profile cylinder door preparation

NOTES:

- BACKSET SHOWN FOR REFERENCE ONLY. ADJUST BACKSET AS PER LOCK CASE. USE DIMENSIONS FROM TABLE BELOW TO ADJUST BACKSET POSITION ACCORDING TO LOW AND HIGH BEVEL DOOR EDGE.
- DIMENSIONS ARE SYMMETRICAL ABOUT \varnothing UNLESS OTHERWISE NOTED.
- REFER TO SPECIFIC TOLERANCES TABLE FOR DIMENSIONS MARKED WITH #.
- DEPTH MEASURED FROM THE FRONT OF DOOR, ON THE CENTERLINE.
- DRAWING IS NOT TO SCALE.
- DIMENSIONS ARE IN MILLIMETERS.

RIGHT HAND SHOWN



| | | | |
|---|--------|--|--------|
| LH-RHR | RH-LHR | LH-LHR | RH-RHR |
| <p>DIMENSIONS = IMPERIAL/IMPÉRIAL [MILLIMETER / MILLIMÈTRE] 3D FILE GOVERNS ALL UNSPECIFIED DIMENSIONS & GENERAL TOLERANCES APPLY / LES DIMENSIONS NON SPÉCIFIÉES SONT DÉFINIES PAR LE FICHER 3D ET LES TOLÉRANCES GÉNÉRALES S'APPLIQUENT GENERAL TOLERANCE, UNLESS OTHERWISE SPECIFIED TOLÉRANCES GÉNÉRALES, SAUF SI SPÉCIFIÉ AUTREMENT</p> | | <p>DISTANCES ± 0.030 [±.75] HOLES / TROUS $\varnothing \pm 0.010$ [±.25] DIMS. # $+0.030/-0.000$ [+.75/- .00] AS PER / SELON : ASME Y14.5M-2009</p> | |

| BACKSET ADJUSTMENT FOR 3° BEVEL DOOR | | |
|--------------------------------------|--------------------------------|--|
| DOOR THICKNESS DIMENSION X | BACKSET ADJUSTMENT DIMENSION Y | |
| 1.25" [31.8mm] | .032" [0.81mm] | |
| 1.50" [38.1mm] | .039" [1.00mm] | |
| 1.75" [44.5mm] | .046" [1.17mm] | |
| 2.00" [50.8mm] | .052" [1.32mm] | |
| 2.25" [57.2mm] | .059" [1.50mm] | |
| 2.50" [63.5mm] | .065" [1.65mm] | |
| 2.75" [69.9mm] | .072" [1.83mm] | |

WARNING

- To verify lock coverage and door operation meets expectations, dormakaba strongly recommends completing a full door mockup. This will ensure that all necessary products and parts for a successful installation are included.
- Always validate that you have selected the correct template for specific lock model being installed. The same lock model can be offered with different locking device options.
- Drawing is not to scale. Measurements are for reference only. Not a drilling template.
- If you have any questions, please contact your local sales representative or authorized reseller.

LEFT HAND SHOWN

